

thermo
Sphere 

Vertical Towel Bar

Beautifully simple to install



Leading the charge for **electric heating**

Contents

2 Technical Specifications

3 What's in the box?

4 Installation

5 Wiring diagram

6 Safety and care information

7 Warranty Information

Technical Specifications

Technical data

Code HTB-VR-900

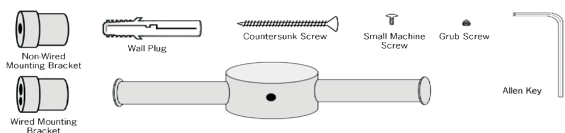
Size W 38 x H 900 x D 100mm

What's in the box?

Check you've got everything

- Thermorail Single Vertical Bar Rail
- Screw kit including:
 - 1x Non-Wired mounting bracket
 - 1x Wired mounting bracket
 - 2x Wall plugs
 - 2x Countersunk screws
 - 1x Small machine screw
 - Grub screws
 - 1x Hook
 - 1x Allen key

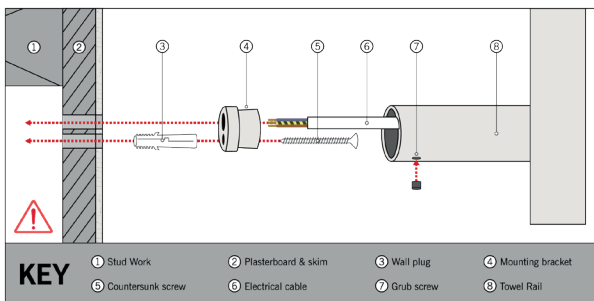
Please note for some models the legs are supplied separate to the main rail.



You will also need

- Cross Head Screwdriver
- Pencil
- Spirit level
- Tape measure
- Drill bits
- Cordless Drill
- Electrical supply
- Timer/Switch

Installation



WARNING: This is a 12Volt heated towel rail and **MUST** be wired to a transformer. Connecting directly to the mains power supply will cause irreparable damage to the element and the element cannot be replaced.

1. Switch off the mains power

You will be installing the Thermorail as part of a high voltage mains electrical circuit. To ensure your safety and to protect the Thermorail, switch off the mains power before you start the installation. Please ensure that means for disconnection are incorporated in the fixed wiring in accordance with the wiring rules.

2. Install the transformer

The transformer is to be installed in the ceiling or the wall cavity no further than 2m from the rails and needs to be connected to the mains power supply in accordance with current local building regulations. If mounting in the wall cavity the transformer must be behind an access plate or a timer/switch to enable access and the transformer must have ventilation.

3. Install two wall brackets

Measure and mark out the bracket positions making sure they are level. Drill a 6mm hole for each of the two wall brackets and an extra hole for the cable at the wiring point and insert suitable wall plugs. Fix the two mounting brackets in place using a screwdriver and screws.

4. Electrical Connections

Ensure your electrical supply is switched off. Push the cable through the hole in the wall bracket and connect to the transformer previously installed (refer to the wiring diagrams opposite). When installing multiple Vertical Thermorails it is recommended that each rail is connected to its own individual transformers. Multiple rails connected to individual transformers can be wired to a single timer/switch and must be wired in parallel.

Installation and wiring diagram

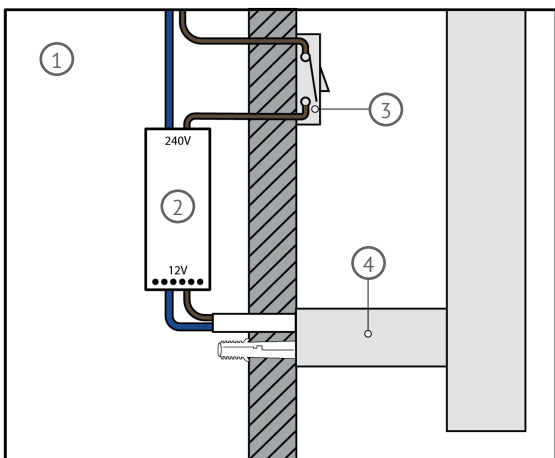
5. Fix Thermorail to the wall

Fit the Thermorail to the mounting brackets installed on the wall. You may need assistance to hold the rail in place. Tighten the grub screws on the two wall mount arms using the allen key provided.

6. Fix the hook to the vertical bar

Please note that the hook is optional and is not necessary for the unit to operate. Slide the hook on the top of the vertical bar (ensuring that the small screw hole is facing towards the wall) and hold in desired position. Use the small screw to fix in position.

Transformer Wiring Diagram



Key

1. Wall Cavity
2. Transformer
3. Switch/Timer
4. Rail

Safety

Safety Information

Thermorail Heated Towel Rails should be installed and tested by a qualified electrician and in accordance with current local regulations. We recommend that the rail is installed onto a flat uniform wall, with the bottom at least 600mm from the floor, with a 300mm clearance from permanent fixtures. Where possible the Thermorail Heated Towel Rail should be screwed into studs or if fixing to hollow walls suitable anchors should be used to ensure rail is secure.

Please read and understand this installation guide in full before commencing installation. If you have any queries in regards to installation, please call 0800 0195899.

- Observe and adhere to electrical guidelines when placing your Thermorail in wet areas
- Ensure any timers or switches used are installed in correct zones according to the IP rating of the timer/switch
- Ensure that your Thermorail is protected by a suitably rated RCD circuit
- Do not use the towel rail to hold towels or other articles that have been in contact with oil, petroleum based products or dry cleaning fluids
- This appliance is intended to warm and dry towels and therefore is hot to touch so when near young children or infirm persons, close supervision is necessary.
- Do not immerse your Thermorail in any liquid
- Ensure the transformer is located no further than 2m from the Thermorail(s)
- Ensure the transformer is accessible and has adequate ventilation
- Ensure that multiple rails connected to individual transformers are wired in parallel to the switch/timer.
- This appliance is not intended for use by persons (including children) with reduced physical, sensory or mental capabilities, or lack of experience and knowledge, unless they have been given supervision or instruction concerning use of the appliance by a person responsible for their safety.
- Children should be supervised to ensure that they do not play with the appliance.
- If the supply cord is damaged, it must be replaced by the manufacturer, its service agent or similarly qualified persons in order to avoid a hazard.

WARNING: In order to avoid a hazard for very young children, this appliance should be installed so that the base of the rail is at least 600mm above the floor.

Care Information

The Stainless Steel finish of your Thermorail Heated Towel Rail is hard wearing and easy to maintain. However, any harsh scrubbing, scratching or acid based cleaning products will damage the surface of your towel rail. Cleaning with a soft cloth and a non-abrasive cleaning agent will give the best results.

Warranty

Warranty Information

Thermogroup covers all its products with a satisfaction guarantee. In addition, Thermogroup will supply a replacement product where a fault is shown to be caused by manufacture, materials or workmanship providing the goods have been installed correctly and according to installation instructions. This guarantee does not include removal, freight or installation costs. Our goods come with guarantees that cannot be excluded under Australian Consumer Law. You are entitled to a replacement or refund for a major failure and compensation for any other reasonably foreseeable loss or damage. You are also entitled to have the goods repaired or replaced if the goods fail to be of acceptable quality and the failure does not amount to a major failure.

The details on the length of the warranty on the 12Volt Vertical Bars is on page 6 of this installation guide. To use the warranty, repair or service the customer must provide purchase invoice/ receipt and have completed the online warranty registration form.

If the product develops a fault within the warranty period due to normal wear and tear, Thermogroup at its discretion will recognise whether it's a faulty product or not. If it is impossible or not economical for the manufacturer to repair the product, the manufacturer will replace the faulty product with a new unit of the same model or if there is no stock available of the same model as the product, the manufacturer will replace the product with a new unit of a similar size.

No responsibility can be taken for altered dimensions and lining up of existing holes.

The repair service offered within the warranty period only covers the faults and problems as developed from the manufacturer's errors. Any damage caused by improper use or carelessness or incorrect wiring is not covered.

Thermogroup is not responsible for any monetary loss or injuries caused by improper use of this product.

Warranty Registration

The Thermorail Heated Towel Rail warranty against manufactures defects is a limited liability warranty and will only apply if the product is registered online. Failure to complete the warranty registration will void the warranty..

ThermoSphere
Bridge House
Pattenden Lane
Marden
Kent
TN12 9QJ
UNITED KINGDOM

www.thermosphere.com
enquiries@thermosphere.com
+44 (0) 800 019 5899



Find us on LinkedIn
Search "ThermoSphere"



Check out our Youtube channel
Search "ThermoSphere underfloor heating"



Find us on Instagram
Search "ThermoSphere"

All content © 2024 Thermogroup Ltd. ThermoSphere is a trading name of Thermogroup Ltd. E&OE